

---

**Contents**


---

**Model**

|            |             |             |
|------------|-------------|-------------|
| 80DMLU62.2 | 100DMLU63.7 | 150DMLU65.5 |
| 80DMLU63.7 | 100DMLU65.5 | 150DMLU67.5 |
| 80DMLU65.5 | 100DMLU67.5 | 150DMLU611  |
| 80DMLU67.5 | 100DMLU611  | 150DMLU615  |
| 80DMLU611  | 100DMLU615  | 150DMLU622  |
| 80DMLU615  | 100DMLU622  |             |
| 80DMLU622  |             |             |

---

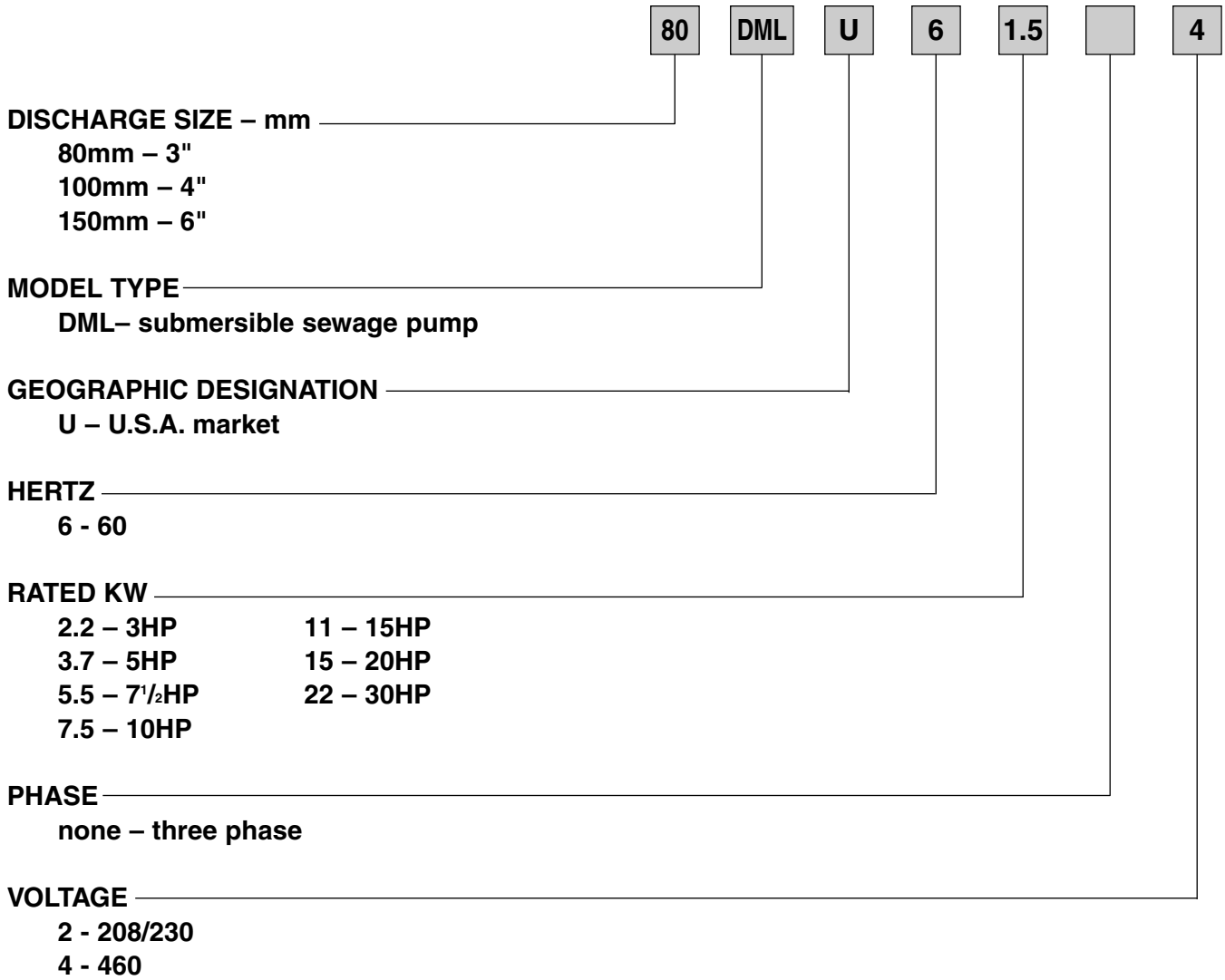
| <b>Section</b>                  | <b>Page</b> |
|---------------------------------|-------------|
| Specifications                  | 902         |
| Selection Chart                 | 903         |
| Performance Curves              | 904         |
| Dimensions                      | 908         |
| Sectional View                  | 911         |
| QDC Information                 | 1900        |
| Motor Data                      | 2000        |
| motor electrical specifications |             |
| cable data                      |             |
| wiring diagrams                 |             |
| motor electrical data           |             |

---

**EBARA Submersible Wastewater Pumps**

**DMLU**

**Model Designation**



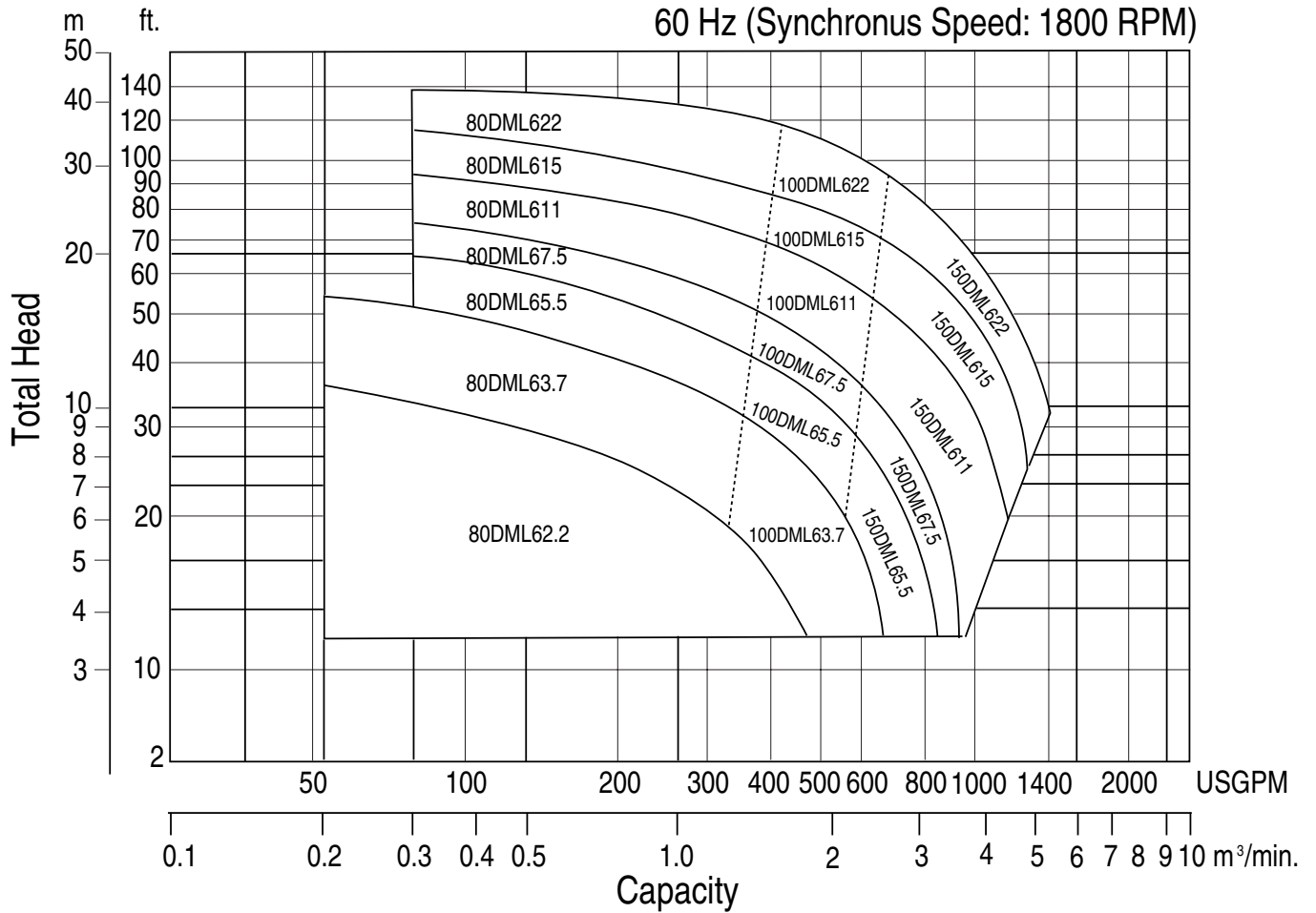
**EBARA Submersible Wastewater Pumps****DMLU****Specifications****Model DMLU**  
Specifications

|   | <b>Standard</b>  | <b>Optional</b>      |
|---|--|----------------------|
| Size  | 3, 4, 6 inch   |                      |
| Range of HP   | 3 to 30HP  |                      |
| Range of Performance  | Capacity: 55 to 1345 GPM<br>Head: 12 to 136 feet   |                      |
| <b>Limitation</b><br>Maximum Water Temperature  | 104°F (40°C)   |                      |
| <b>Synchronous Speed</b>  | 1800 RPM   |                      |
| <b>Materials</b><br>Casing<br>Impeller<br>Shaft<br>Motor Frame<br>Fastener  | Cast Iron<br>Cast Iron<br>403 Stainless Steel<br>Cast Iron<br>304 Stainless Steel  |                      |
| <b>Mechanical Seal</b><br>Material – Upper Side<br>Material – Lower Side<br>Impeller Type<br>Bearing<br>Motor<br>Three Phase<br>Service Factor<br>Motor Protection<br>Accessories | Double Mechanical Seal<br>Carbon/Ceramic<br>Silicon Carbide/Silicon Carbide<br>Non-clog single channel<br>Pre-lubricated Ball Bearing<br>Air-filled, dry submersible, Class F Insulation<br>208/230 or 460V<br>1.15<br>3HP: Built-in Auto cut - overload, out-of-phase,<br>single phasing protection<br>5 to 30HP: Built-in thermal detector<br>Submersible cable 33 ft. | 66 ft.<br>QDC System |



**Selection Chart**

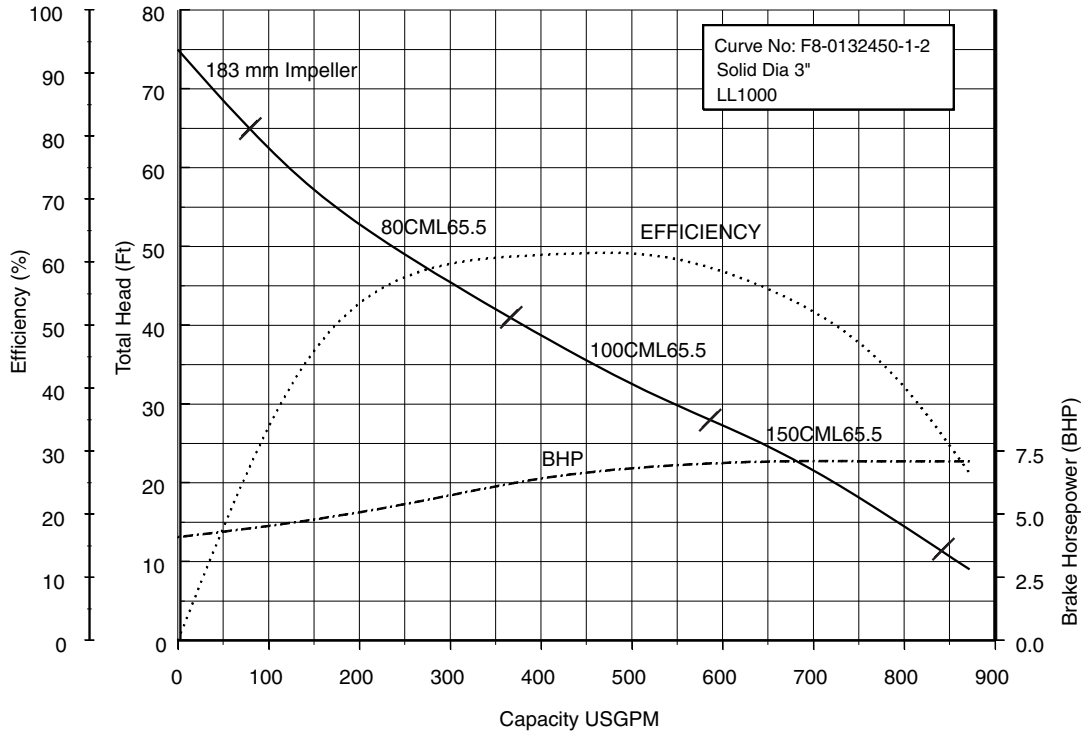
**Model DMLU**  
Selection chart



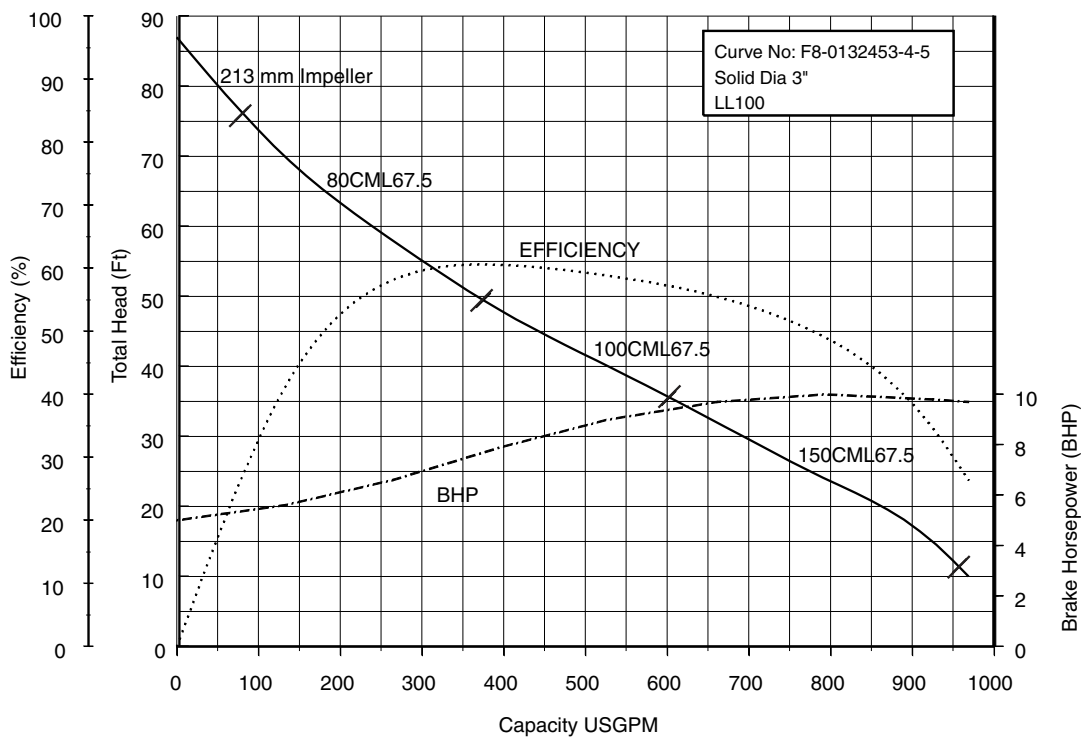


Performance Curves

80, 100, 150DML65.5 (7.5HP) Synchronous Speed: 1800 RPM 3, 4, 6 inch Discharge

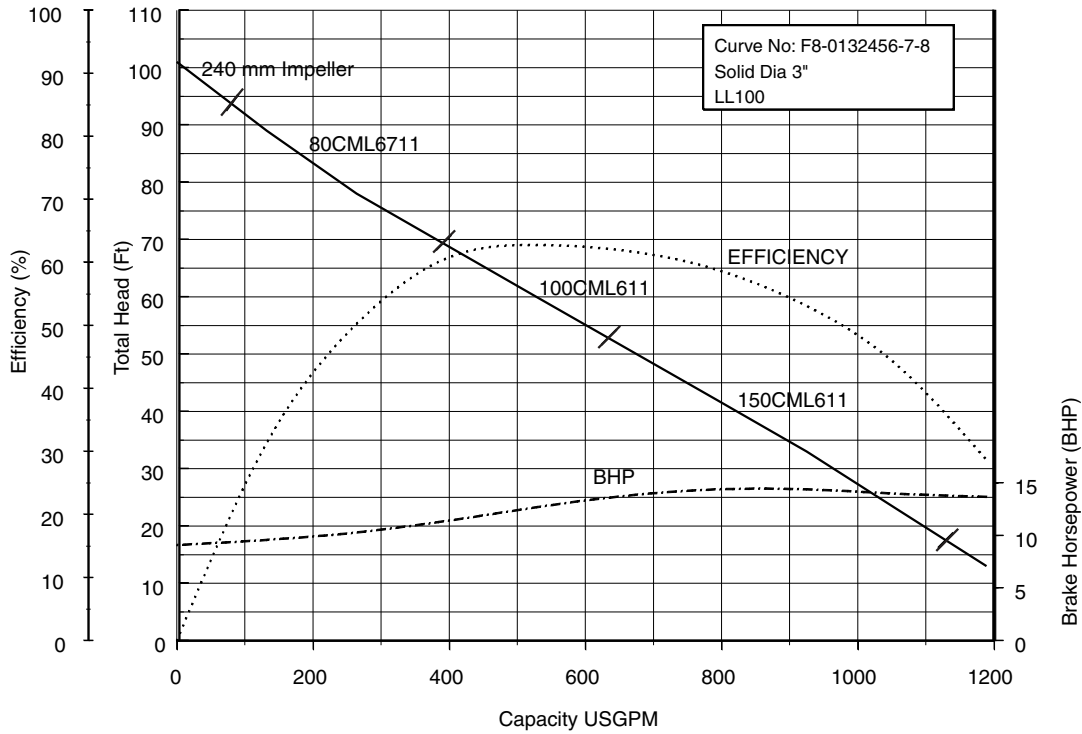


80, 100, 150DML67.5 (10HP) Synchronous Speed: 1800 RPM 3, 4, 6 inch Discharge

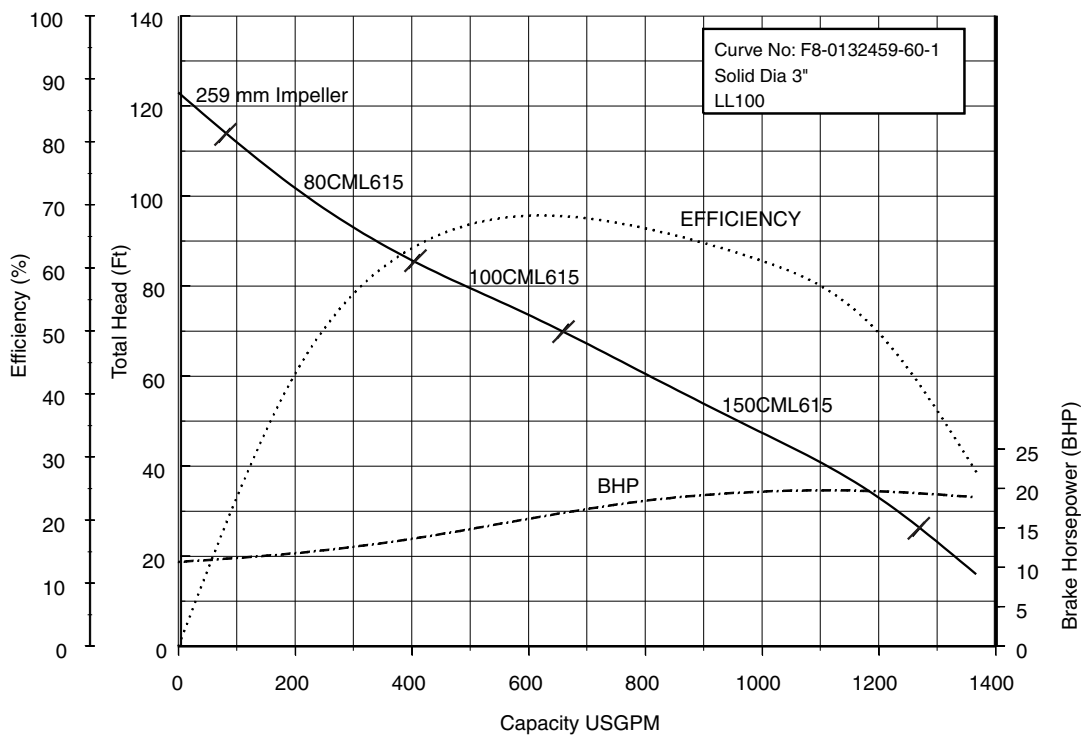


Performance Curves

80, 100, 150DML611 (15HP) Synchronous Speed: 1800 RPM 3, 4, 6 inch Discharge

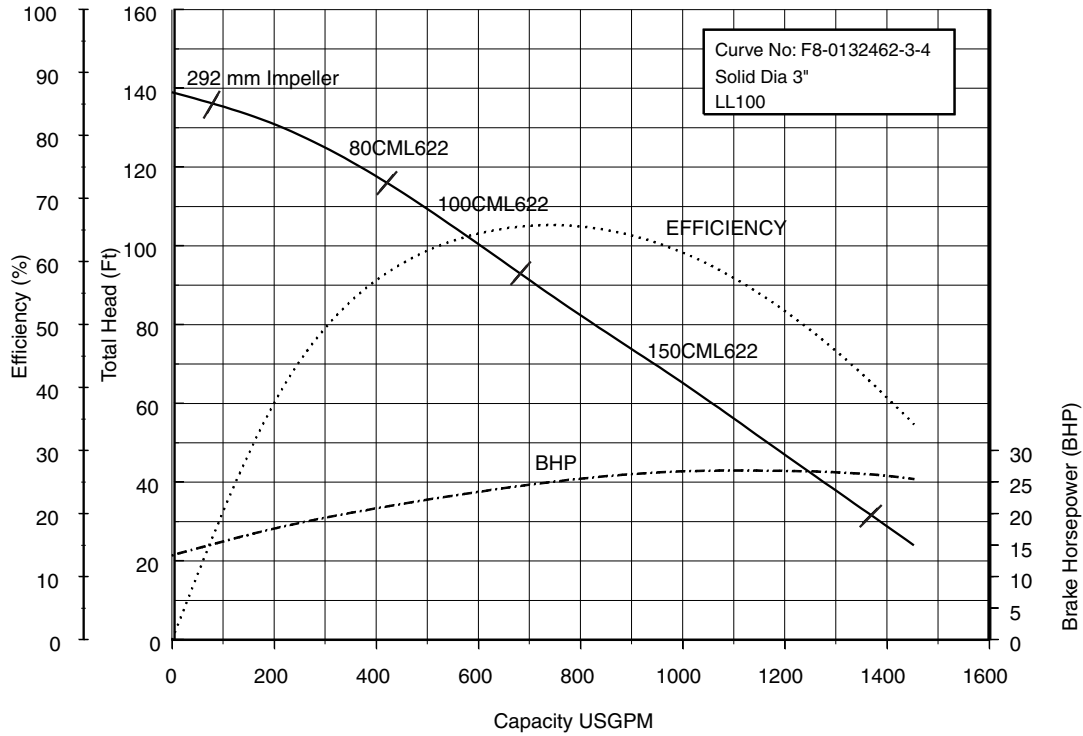


80, 100, 150DML615 (20HP) Synchronous Speed: 1800 RPM 3, 4, 6 inch Discharge



Performance Curves

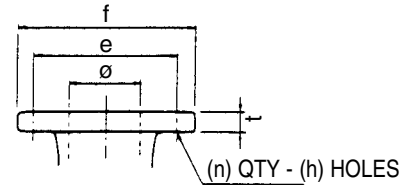
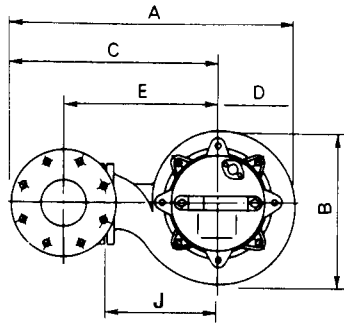
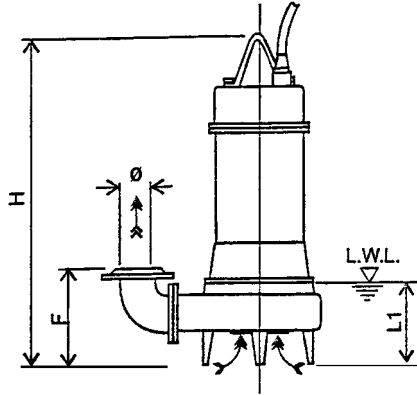
80, 100, 150DML622 (30HP) Synchronous Speed: 1800 RPM 3, 4, 6 inch Discharge



Dimensions

Model DMLU

80DMLU, 3 to 30HP  
 100DMLU, 5 to 30 HP  
 150DMLU, 7.5 to 30HP



Flange (ANSI 125 PSI F.F)

| inch |       |       |       |   |     |
|------|-------|-------|-------|---|-----|
| ø    | e     | f     | t     | n | h   |
| 3    | 6     | 7 1/2 | 3/4   | 4 | 3/4 |
| 4    | 7 1/2 | 9     | 15/16 | 8 | 3/4 |
| 6    | 9 1/2 | 11    | 1     | 8 | 3/4 |

| mm  |     |     |    |   |    |
|-----|-----|-----|----|---|----|
| ø   | e   | f   | t  | n | h  |
| 80  | 150 | 185 | 19 | 4 | 19 |
| 100 | 175 | 210 | 20 | 8 | 19 |
| 150 | 240 | 280 | 22 | 8 | 19 |

Dimensions: inch

| PHASE      | SIZE ø     | MODEL       | OUTPUT                          |                                 | PUMP & MOTOR                     |                                  |                                  |                                  |                                 |                                  |                                  |                                  |                                  | WEIGHT Lb |
|------------|------------|-------------|---------------------------------|---------------------------------|----------------------------------|----------------------------------|----------------------------------|----------------------------------|---------------------------------|----------------------------------|----------------------------------|----------------------------------|----------------------------------|-----------|
|            |            |             | kW                              | HP                              | A                                | B                                | C                                | D                                | E                               | F                                | H                                | J                                | L1                               |           |
| THREE      | 3          | 80DMLU62.2  | 2.2                             | 3                               | 21                               | 12 <sup>5</sup> / <sub>8</sub>   | 14 <sup>7</sup> / <sub>8</sub>   | 6 <sup>3</sup> / <sub>16</sub>   | 11 <sup>1</sup> / <sub>4</sub>  | 11 <sup>3</sup> / <sub>4</sub>   | 26 <sup>5</sup> / <sub>16</sub>  | 8 <sup>1</sup> / <sub>4</sub>    | 11                               | 176       |
|            |            | 80DMLU63.7  | 3.7                             | 5                               | 21                               | 12 <sup>5</sup> / <sub>8</sub>   | 14 <sup>7</sup> / <sub>8</sub>   | 6 <sup>3</sup> / <sub>16</sub>   | 11 <sup>1</sup> / <sub>4</sub>  | 11 <sup>3</sup> / <sub>4</sub>   | 28 <sup>5</sup> / <sub>8</sub>   | 8 <sup>1</sup> / <sub>4</sub>    | 11                               | 192       |
|            |            | 80DMLU65.5  | 5.5                             | 7.5                             | 25 <sup>9</sup> / <sub>16</sub>  | 15                               | 17 <sup>13</sup> / <sub>16</sub> | 7 <sup>3</sup> / <sub>8</sub>    | 14 <sup>3</sup> / <sub>16</sub> | 13 <sup>1</sup> / <sub>8</sub>   | 32 <sup>7</sup> / <sub>16</sub>  | 10 <sup>1</sup> / <sub>16</sub>  | 12 <sup>3</sup> / <sub>16</sub>  | 260       |
|            |            | 80DMLU67.5  | 7.5                             | 10                              | 25 <sup>9</sup> / <sub>16</sub>  | 15                               | 17 <sup>13</sup> / <sub>16</sub> | 7 <sup>3</sup> / <sub>8</sub>    | 14 <sup>3</sup> / <sub>16</sub> | 13 <sup>1</sup> / <sub>8</sub>   | 32 <sup>7</sup> / <sub>16</sub>  | 10 <sup>1</sup> / <sub>16</sub>  | 12 <sup>3</sup> / <sub>16</sub>  | 271       |
|            |            | 80DMLU611   | 11                              | 15                              | 28 <sup>7</sup> / <sub>8</sub>   | 17 <sup>15</sup> / <sub>16</sub> | 20 <sup>3</sup> / <sub>16</sub>  | 8 <sup>1</sup> / <sub>16</sub>   | 16 <sup>9</sup> / <sub>16</sub> | 13 <sup>3</sup> / <sub>4</sub>   | 36 <sup>15</sup> / <sub>16</sub> | 12 <sup>3</sup> / <sub>8</sub>   | 12 <sup>15</sup> / <sub>16</sub> | 346       |
|            |            | 80DMLU615   | 15                              | 20                              | 28 <sup>7</sup> / <sub>8</sub>   | 17 <sup>15</sup> / <sub>16</sub> | 20 <sup>3</sup> / <sub>16</sub>  | 8 <sup>1</sup> / <sub>16</sub>   | 16 <sup>9</sup> / <sub>16</sub> | 13 <sup>3</sup> / <sub>4</sub>   | 36 <sup>15</sup> / <sub>16</sub> | 12 <sup>3</sup> / <sub>8</sub>   | 12 <sup>15</sup> / <sub>16</sub> | 359       |
|            | 80DMLU622  | 22          | 30                              | 30 <sup>9</sup> / <sub>16</sub> | 19 <sup>9</sup> / <sub>16</sub>  | 21                               | 9 <sup>5</sup> / <sub>8</sub>    | 17 <sup>5</sup> / <sub>16</sub>  | 14 <sup>3</sup> / <sub>16</sub> | 40 <sup>3</sup> / <sub>16</sub>  | 13 <sup>3</sup> / <sub>16</sub>  | 13 <sup>1</sup> / <sub>16</sub>  | 492                              |           |
|            | 4          | 100DMLU63.7 | 3.7                             | 5                               | 22 <sup>11</sup> / <sub>16</sub> | 12 <sup>5</sup> / <sub>8</sub>   | 16 <sup>9</sup> / <sub>16</sub>  | 6 <sup>3</sup> / <sub>16</sub>   | 12 <sup>3</sup> / <sub>8</sub>  | 12 <sup>5</sup> / <sub>16</sub>  | 28 <sup>5</sup> / <sub>8</sub>   | 8 <sup>1</sup> / <sub>4</sub>    | 11                               | 196       |
|            |            | 100DMLU65.5 | 5.5                             | 7.5                             | 25 <sup>11</sup> / <sub>16</sub> | 15                               | 18 <sup>5</sup> / <sub>16</sub>  | 7 <sup>3</sup> / <sub>8</sub>    | 14 <sup>3</sup> / <sub>16</sub> | 13 <sup>1</sup> / <sub>8</sub>   | 32 <sup>7</sup> / <sub>16</sub>  | 10 <sup>1</sup> / <sub>16</sub>  | 12 <sup>3</sup> / <sub>16</sub>  | 267       |
|            |            | 100DMLU67.5 | 7.5                             | 10                              | 25 <sup>11</sup> / <sub>16</sub> | 15                               | 18 <sup>5</sup> / <sub>16</sub>  | 7 <sup>3</sup> / <sub>8</sub>    | 14 <sup>3</sup> / <sub>16</sub> | 13 <sup>1</sup> / <sub>8</sub>   | 32 <sup>7</sup> / <sub>16</sub>  | 10 <sup>1</sup> / <sub>16</sub>  | 12 <sup>3</sup> / <sub>16</sub>  | 276       |
|            |            | 100DMLU611  | 11                              | 15                              | 29 <sup>3</sup> / <sub>8</sub>   | 17 <sup>15</sup> / <sub>16</sub> | 20 <sup>11</sup> / <sub>16</sub> | 8 <sup>1</sup> / <sub>16</sub>   | 16 <sup>9</sup> / <sub>16</sub> | 13 <sup>3</sup> / <sub>4</sub>   | 36 <sup>15</sup> / <sub>16</sub> | 12 <sup>3</sup> / <sub>8</sub>   | 12 <sup>15</sup> / <sub>16</sub> | 353       |
|            |            | 100DMLU615  | 15                              | 20                              | 29 <sup>3</sup> / <sub>8</sub>   | 17 <sup>15</sup> / <sub>16</sub> | 20 <sup>11</sup> / <sub>16</sub> | 8 <sup>1</sup> / <sub>16</sub>   | 16 <sup>9</sup> / <sub>16</sub> | 13 <sup>3</sup> / <sub>4</sub>   | 36 <sup>15</sup> / <sub>16</sub> | 12 <sup>3</sup> / <sub>8</sub>   | 12 <sup>15</sup> / <sub>16</sub> | 366       |
|            | 100DMLU622 | 22          | 30                              | 31 <sup>1</sup> / <sub>8</sub>  | 19 <sup>9</sup> / <sub>16</sub>  | 21 <sup>7</sup> / <sub>16</sub>  | 9 <sup>5</sup> / <sub>8</sub>    | 17 <sup>5</sup> / <sub>16</sub>  | 14 <sup>3</sup> / <sub>16</sub> | 40 <sup>3</sup> / <sub>16</sub>  | 13 <sup>3</sup> / <sub>16</sub>  | 13 <sup>1</sup> / <sub>16</sub>  | 498                              |           |
|            | 6          | 150DMLU65.5 | 5.5                             | 7.5                             | 28 <sup>1</sup> / <sub>16</sub>  | 15                               | 20 <sup>11</sup> / <sub>16</sub> | 7 <sup>3</sup> / <sub>8</sub>    | 15 <sup>3</sup> / <sub>16</sub> | 14 <sup>1</sup> / <sub>2</sub>   | 32 <sup>7</sup> / <sub>16</sub>  | 10 <sup>1</sup> / <sub>16</sub>  | 12 <sup>3</sup> / <sub>16</sub>  | 280       |
|            |            | 150DMLU67.5 | 7.5                             | 10                              | 28 <sup>1</sup> / <sub>16</sub>  | 15                               | 20 <sup>11</sup> / <sub>16</sub> | 7 <sup>3</sup> / <sub>8</sub>    | 15 <sup>3</sup> / <sub>16</sub> | 14 <sup>1</sup> / <sub>2</sub>   | 32 <sup>7</sup> / <sub>16</sub>  | 10 <sup>1</sup> / <sub>16</sub>  | 12 <sup>3</sup> / <sub>16</sub>  | 291       |
| 150DMLU611 |            | 11          | 15                              | 31 <sup>3</sup> / <sub>4</sub>  | 17 <sup>15</sup> / <sub>16</sub> | 23 <sup>1</sup> / <sub>16</sub>  | 8 <sup>1</sup> / <sub>16</sub>   | 17 <sup>1</sup> / <sub>2</sub>   | 15 <sup>3</sup> / <sub>16</sub> | 36 <sup>15</sup> / <sub>16</sub> | 12 <sup>3</sup> / <sub>8</sub>   | 12 <sup>15</sup> / <sub>16</sub> | 366                              |           |
| 150DMLU615 |            | 15          | 20                              | 31 <sup>3</sup> / <sub>4</sub>  | 17 <sup>15</sup> / <sub>16</sub> | 23 <sup>1</sup> / <sub>16</sub>  | 8 <sup>1</sup> / <sub>16</sub>   | 17 <sup>1</sup> / <sub>2</sub>   | 15 <sup>3</sup> / <sub>16</sub> | 36 <sup>15</sup> / <sub>16</sub> | 12 <sup>3</sup> / <sub>8</sub>   | 12 <sup>15</sup> / <sub>16</sub> | 379                              |           |
| 150DMLU622 | 22         | 30          | 33 <sup>7</sup> / <sub>16</sub> | 19 <sup>9</sup> / <sub>16</sub> | 23 <sup>13</sup> / <sub>16</sub> | 9 <sup>5</sup> / <sub>8</sub>    | 18 <sup>5</sup> / <sub>16</sub>  | 15 <sup>11</sup> / <sub>16</sub> | 40 <sup>3</sup> / <sub>16</sub> | 13 <sup>3</sup> / <sub>16</sub>  | 13 <sup>1</sup> / <sub>16</sub>  | 511                              |                                  |           |

Dimensions: mm

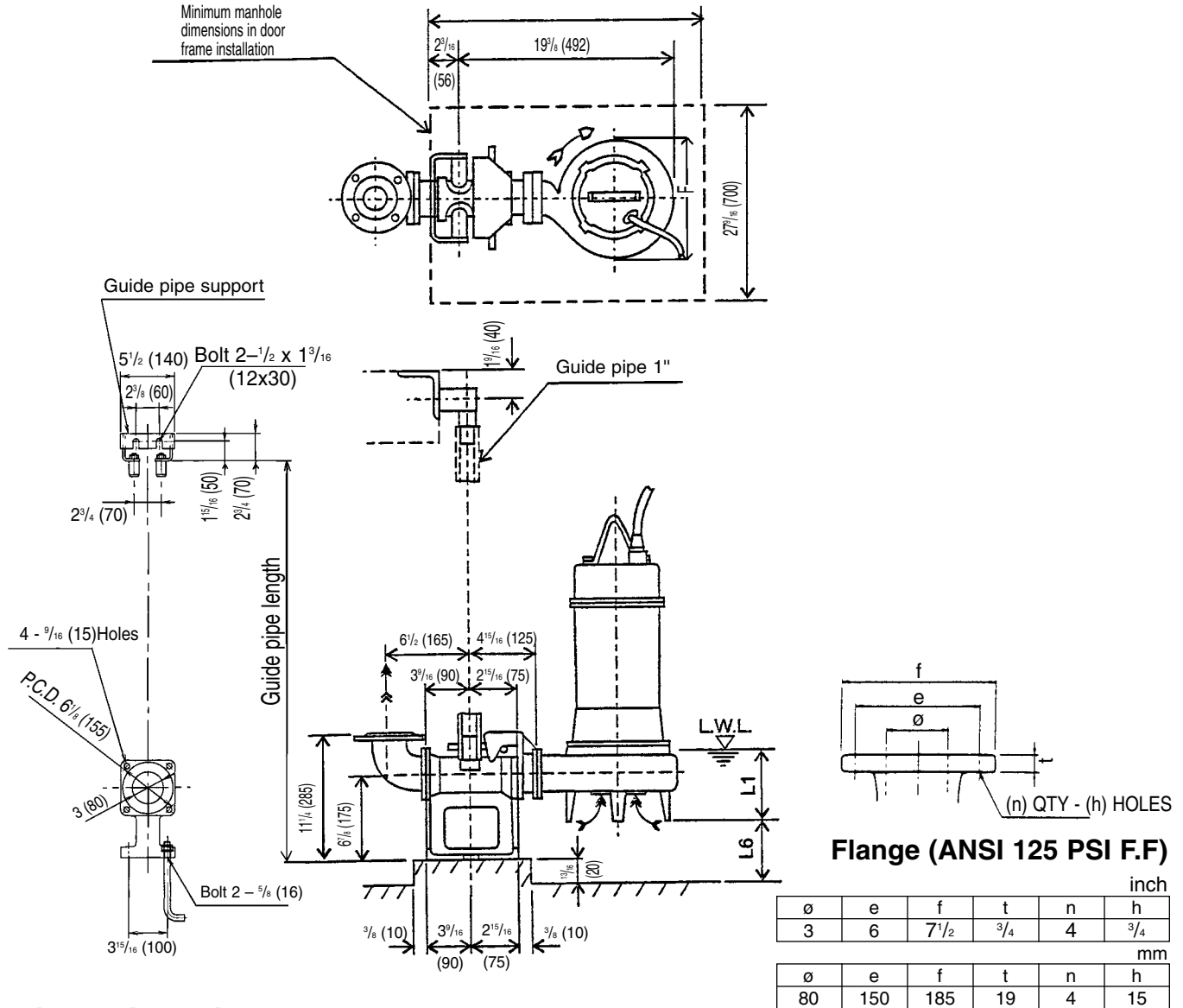
| PHASE      | SIZE ø     | MODEL       | OUTPUT |     | PUMP & MOTOR |     |     |     |      |      |     |     |     | WEIGHT kg |
|------------|------------|-------------|--------|-----|--------------|-----|-----|-----|------|------|-----|-----|-----|-----------|
|            |            |             | kW     | HP  | A            | B   | C   | D   | E    | F    | H   | J   | L1  |           |
| THREE      | 80         | 80DMLU62.2  | 2.2    | 3   | 534          | 320 | 378 | 157 | 285  | 298  | 668 | 210 | 279 | 80        |
|            |            | 80DMLU63.7  | 3.7    | 5   | 534          | 320 | 378 | 157 | 285  | 298  | 727 | 210 | 279 | 87        |
|            |            | 80DMLU65.5  | 5.5    | 7.5 | 640          | 381 | 453 | 188 | 360  | 334  | 824 | 255 | 310 | 118       |
|            |            | 80DMLU67.5  | 7.5    | 10  | 640          | 381 | 453 | 188 | 360  | 334  | 824 | 255 | 310 | 123       |
|            |            | 80DMLU611   | 11     | 15  | 734          | 455 | 513 | 221 | 420  | 350  | 938 | 315 | 329 | 157       |
|            |            | 80DMLU615   | 15     | 20  | 734          | 455 | 513 | 221 | 420  | 350  | 938 | 315 | 329 | 163       |
|            | 80DMLU622  | 22          | 30     | 777 | 497          | 533 | 245 | 440 | 363  | 1021 | 335 | 332 | 223 |           |
|            | 100        | 100DMLU63.7 | 3.7    | 5   | 577          | 320 | 420 | 157 | 315  | 313  | 727 | 210 | 279 | 89        |
|            |            | 100DMLU65.5 | 5.5    | 7.5 | 653          | 381 | 465 | 188 | 360  | 334  | 824 | 255 | 310 | 121       |
|            |            | 100DMLU67.5 | 7.5    | 10  | 653          | 381 | 465 | 188 | 360  | 334  | 824 | 255 | 310 | 125       |
|            |            | 100DMLU611  | 11     | 15  | 746          | 455 | 525 | 221 | 420  | 350  | 938 | 315 | 329 | 160       |
|            |            | 100DMLU615  | 15     | 20  | 746          | 455 | 525 | 221 | 420  | 350  | 938 | 315 | 329 | 166       |
|            | 100DMLU622 | 22          | 30     | 790 | 497          | 545 | 245 | 440 | 363  | 1021 | 335 | 332 | 226 |           |
|            | 150        | 150DMLU65.5 | 5.5    | 7.5 | 713          | 381 | 525 | 188 | 385  | 369  | 824 | 255 | 310 | 127       |
|            |            | 150DMLU67.5 | 7.5    | 10  | 713          | 381 | 525 | 188 | 385  | 369  | 824 | 255 | 310 | 132       |
| 150DMLU611 |            | 11          | 115    | 806 | 455          | 585 | 221 | 445 | 385  | 938  | 315 | 329 | 166 |           |
| 150DMLU615 |            | 15          | 20     | 806 | 455          | 585 | 221 | 445 | 385  | 938  | 315 | 329 | 172 |           |
| 150DMLU622 | 22         | 30          | 850    | 497 | 605          | 245 | 465 | 398 | 1021 | 335  | 332 | 232 |     |           |

Dimensions

Model DMLU with Quick Discharge Connector

80DMLU62.2

80DMLU63.7



Dimensions: inch

| PHASE | SIZE ø | MODEL       | OUTPUT |    | Q.D.C. MODEL | PUMP & MOTOR                   |    |     | WEIGHT Lb |        |
|-------|--------|-------------|--------|----|--------------|--------------------------------|----|-----|-----------|--------|
|       |        |             | kW     | HP |              | F                              | L1 | L6  | PUMP      | Q.D.C. |
| THREE | 3      | 80DML62.2   | 2.2    | 3  | LM80         | 12 <sup>5</sup> / <sub>8</sub> | 11 | 1/4 | 176       | 37     |
|       |        | 80DML63.7   | 3.7    | 5  | LM80         | 12 <sup>5</sup> / <sub>8</sub> | 11 | 1/4 | 192       | 37     |
|       | 4      | 100DMLU63.7 | 3.7    | 5  | LM80         | 12 <sup>5</sup> / <sub>8</sub> | 11 | 1/4 | 196       | 37     |

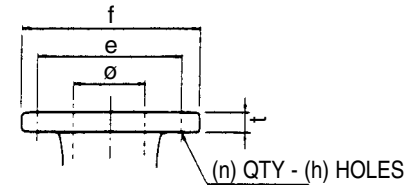
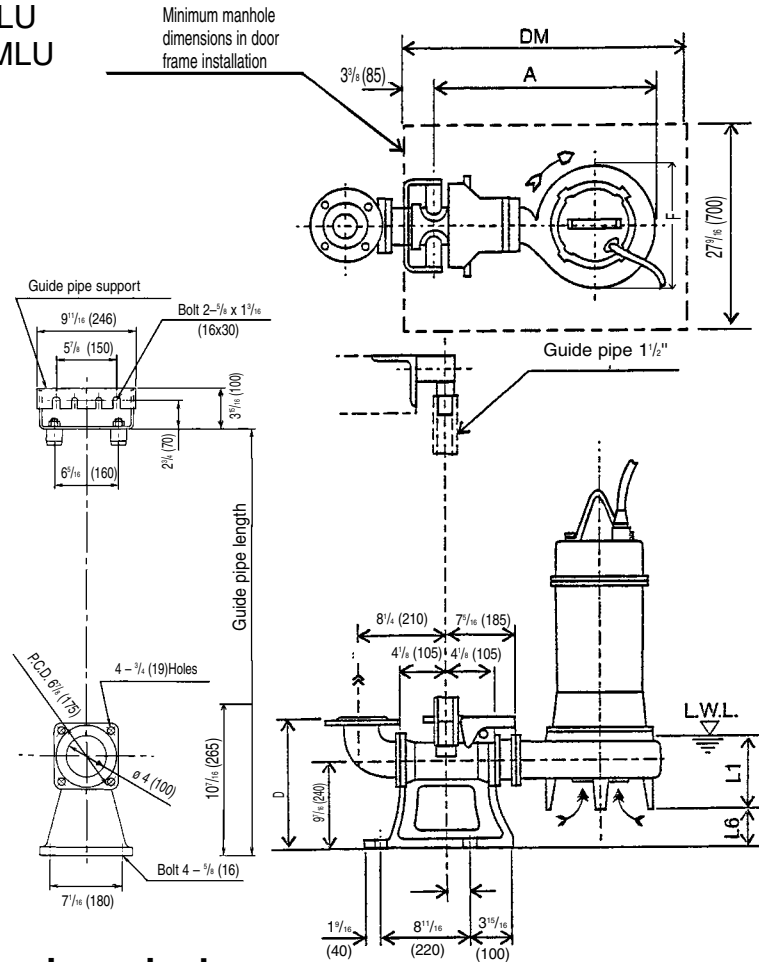
Dimensions: mm

| PHASE | SIZE ø | MODEL       | OUTPUT |    | Q.D.C. MODEL | PUMP & MOTOR |     |    | WEIGHT Lb |        |
|-------|--------|-------------|--------|----|--------------|--------------|-----|----|-----------|--------|
|       |        |             | kW     | HP |              | F            | L1  | L6 | PUMP      | Q.D.C. |
| THREE | 80     | 80DML62.2   | 2.2    | 3  | LM80         | 320          | 279 | 7  | 80        | 17     |
|       |        | 80DML63.7   | 3.7    | 5  | LM80         | 320          | 279 | 7  | 87        | 17     |
|       | 100    | 100DMLU63.7 | 3.7    | 5  | LM80         | 320          | 279 | 7  | 89        | 17     |

Dimensions

Model DMLU with Quick Discharge Connector

80DMLU  
100DMLU



Flange (ANSI 125 PSI F.F)

| inch |       |       |       |   |     |
|------|-------|-------|-------|---|-----|
| ø    | e     | f     | t     | n | h   |
| 3    | 6     | 7 1/2 | 3/4   | 4 | 3/4 |
| 4    | 7 1/2 | 9     | 15/16 | 8 | 3/4 |

| mm  |     |     |    |   |    |
|-----|-----|-----|----|---|----|
| ø   | e   | f   | t  | n | h  |
| 80  | 150 | 185 | 19 | 4 | 19 |
| 100 | 175 | 210 | 20 | 8 | 19 |

Dimensions: inch

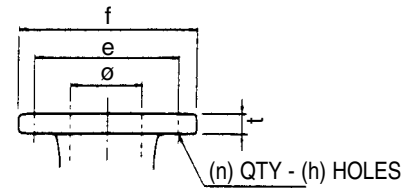
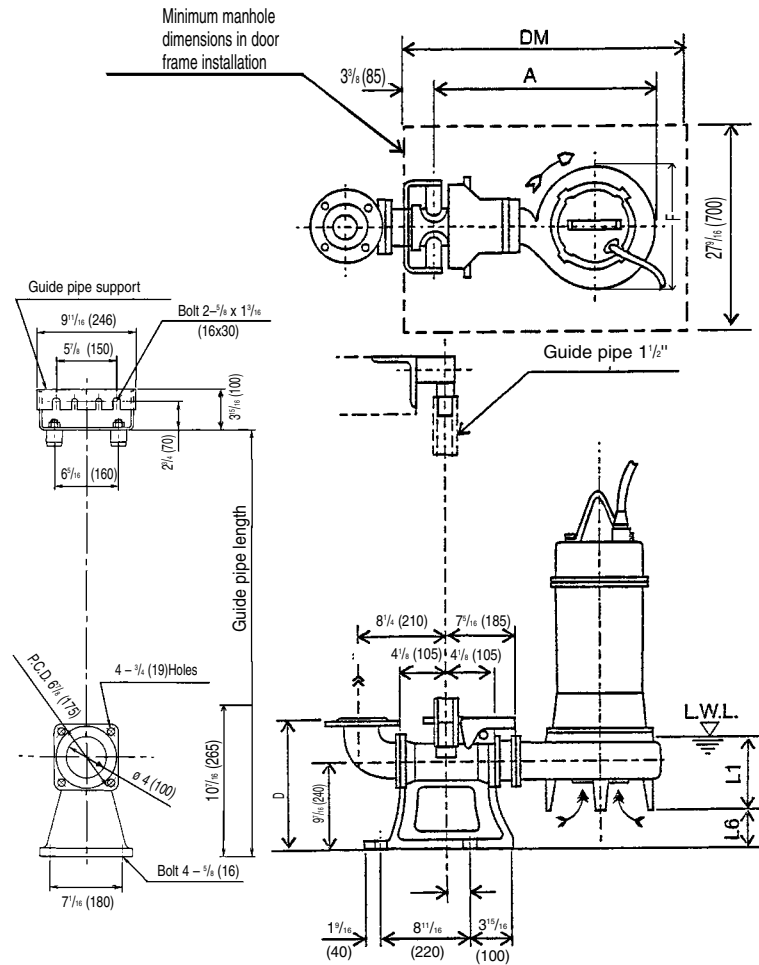
| PHASE | SIZE ø | MODEL       | OUTPUT |     | Q.D.C. MODEL | PUMP & MOTOR |        |          |          |       |        | WEIGHT Lb |        |
|-------|--------|-------------|--------|-----|--------------|--------------|--------|----------|----------|-------|--------|-----------|--------|
|       |        |             | kW     | HP  |              | A            | D      | F        | L1       | L6    | DM     | PUMP      | Q.D.C. |
| THREE | 3      | 80DMLU65.5  | 5.5    | 7.5 | LL100        | 24 3/4       | 14 3/8 | 15       | 12 3/16  | 1 1/4 | 31 1/2 | 260       | 101    |
|       |        | 80DMLU67.5  | 7.5    | 10  | LL100        | 24 3/4       | 14 3/8 | 15       | 12 3/16  | 1 1/4 | 31 1/2 | 271       | 101    |
|       |        | 80DMLU611   | 11     | 15  | LL100        | 28 3/8       | 14 3/8 | 17 15/16 | 12 15/16 | 9/16  | 39 3/8 | 346       | 101    |
|       |        | 80DMLU615   | 15     | 20  | LL100        | 28 3/8       | 14 3/8 | 17 15/16 | 12 15/16 | 9/16  | 39 3/8 | 359       | 101    |
|       |        | 80DMLU622   | 22     | 30  | LL100        | 30 1/8       | 14 3/8 | 19 9/16  | 13 1/16  | 1/2   | 39 3/8 | 492       | 101    |
|       | 4      | 100DMLU65.5 | 5.5    | 7.5 | LL100        | 24 3/4       | 14 3/8 | 15       | 12 3/16  | 1 1/4 | 31 1/2 | 267       | 101    |
|       |        | 100DMLU67.5 | 7.5    | 10  | LL100        | 24 3/4       | 14 3/8 | 15       | 12 3/16  | 1 1/4 | 31 1/2 | 276       | 101    |
|       |        | 100DMLU611  | 11     | 15  | LL100        | 28 3/8       | 14 3/8 | 17 15/16 | 12 15/16 | 9/16  | 39 3/8 | 353       | 101    |
|       |        | 100DMLU615  | 15     | 20  | LL100        | 28 3/8       | 14 3/8 | 17 15/16 | 12 15/16 | 9/16  | 39 3/8 | 366       | 101    |
|       |        | 100DMLU622  | 22     | 30  | LL100        | 30 1/8       | 14 3/8 | 19 9/16  | 13 1/16  | 1/2   | 39 3/8 | 498       | 101    |

Dimensions: mm

| PHASE | SIZE ø | MODEL       | OUTPUT |     | Q.D.C. MODEL | PUMP & MOTOR |     |     |     |    |      | WEIGHT Lb |        |
|-------|--------|-------------|--------|-----|--------------|--------------|-----|-----|-----|----|------|-----------|--------|
|       |        |             | kW     | HP  |              | A            | D   | F   | L1  | L6 | DM   | PUMP      | Q.D.C. |
| THREE | 80     | 80DMLU65.5  | 5.5    | 7.5 | LL100        | 628          | 365 | 381 | 310 | 31 | 800  | 118       | 46     |
|       |        | 80DMLU67.5  | 7.5    | 10  | LL100        | 628          | 365 | 381 | 310 | 31 | 800  | 123       | 46     |
|       |        | 80DMLU611   | 11     | 15  | LL100        | 721          | 365 | 455 | 329 | 15 | 1000 | 157       | 46     |
|       |        | 80DMLU615   | 15     | 20  | LL100        | 721          | 365 | 455 | 329 | 15 | 1000 | 163       | 46     |
|       |        | 80DMLU622   | 22     | 30  | LL100        | 765          | 365 | 497 | 332 | 12 | 1000 | 223       | 46     |
|       | 100    | 100DMLU65.5 | 5.5    | 7.5 | LL100        | 628          | 365 | 381 | 310 | 31 | 800  | 121       | 46     |
|       |        | 100DMLU67.5 | 7.5    | 10  | LL100        | 628          | 365 | 381 | 310 | 31 | 800  | 125       | 46     |
|       |        | 100DMLU611  | 11     | 15  | LL100        | 721          | 365 | 455 | 329 | 15 | 1000 | 160       | 46     |
|       |        | 100DMLU615  | 15     | 20  | LL100        | 721          | 365 | 455 | 329 | 15 | 1000 | 166       | 46     |
|       |        | 100DMLU622  | 22     | 30  | LL100        | 765          | 365 | 497 | 332 | 12 | 1000 | 226       | 46     |

Dimensions

Model DMLU with Quick Discharge Connector  
150DMLU



Flange (ANSI 125 PSI F.F)

| ø | e     | f  | t | n | h   |
|---|-------|----|---|---|-----|
| 6 | 9 1/2 | 11 | 1 | 8 | 3/4 |

| ø   | e   | f   | t   | n | h  |
|-----|-----|-----|-----|---|----|
| 150 | 240 | 280 | 212 | 8 | 19 |

Dimensions: inch

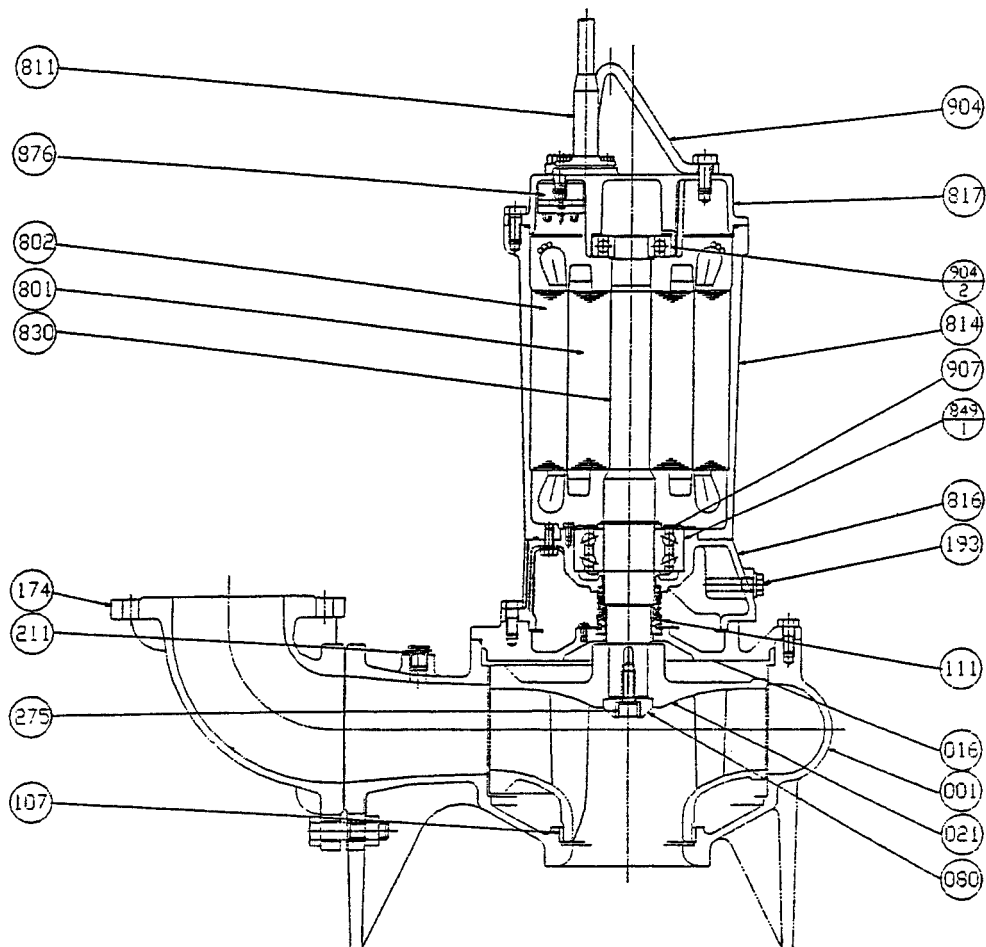
| PHASE | SIZE<br>ø | MODEL       | OUTPUT |     | Q.D.C.<br>MODEL | PUMP & MOTOR |        |          |          |       | WEIGHT Lb |      |        |
|-------|-----------|-------------|--------|-----|-----------------|--------------|--------|----------|----------|-------|-----------|------|--------|
|       |           |             | kW     | HP  |                 | A            | D      | F        | L1       | L6    | DM        | PUMP | Q.D.C. |
| THREE | 6         | 150DMLU65.5 | 5.5    | 7.5 | LL100           | 24 3/4       | 15 3/4 | 15       | 12 3/16  | 1 1/4 | 31 1/2    | 280  | 101    |
|       |           | 150DMLU67.5 | 7.5    | 10  | LL100           | 24 3/4       | 15 3/4 | 15       | 12 3/16  | 1 1/4 | 31 1/2    | 291  | 101    |
|       |           | 150DMLU611  | 11     | 115 | LL100           | 28 3/8       | 15 3/4 | 17 15/16 | 12 15/16 | 9/16  | 39 3/8    | 366  | 101    |
|       |           | 150DMLU615  | 15     | 20  | LL100           | 28 3/8       | 15 3/4 | 17 15/16 | 12 15/16 | 9/16  | 39 3/8    | 379  | 101    |
|       |           | 150DMLU622  | 22     | 30  | LL100           | 30 1/8       | 15 3/4 | 19 9/16  | 13 1/16  | 1/2   | 39 3/8    | 511  | 101    |

Dimensions: mm

| PHASE | SIZE<br>ø | MODEL       | OUTPUT |     | Q.D.C.<br>MODEL | PUMP & MOTOR |     |     |     |    | WEIGHT Lb |      |        |
|-------|-----------|-------------|--------|-----|-----------------|--------------|-----|-----|-----|----|-----------|------|--------|
|       |           |             | kW     | HP  |                 | A            | D   | F   | L1  | L6 | DM        | PUMP | Q.D.C. |
| THREE | 150       | 150DMLU65.5 | 5.5    | 7.5 | LL100           | 628          | 400 | 381 | 310 | 31 | 800       | 127  | 46     |
|       |           | 150DMLU67.5 | 7.5    | 10  | LL100           | 628          | 400 | 381 | 310 | 31 | 800       | 132  | 46     |
|       |           | 150DMLU611  | 11     | 115 | LL100           | 721          | 400 | 455 | 329 | 15 | 1000      | 166  | 46     |
|       |           | 150DMLU615  | 15     | 20  | LL100           | 721          | 400 | 455 | 329 | 15 | 1000      | 172  | 46     |
|       |           | 150DMLU622  | 22     | 30  | LL100           | 765          | 400 | 497 | 332 | 12 | 1000      | 232  | 46     |

Sectional View

80DML62.2

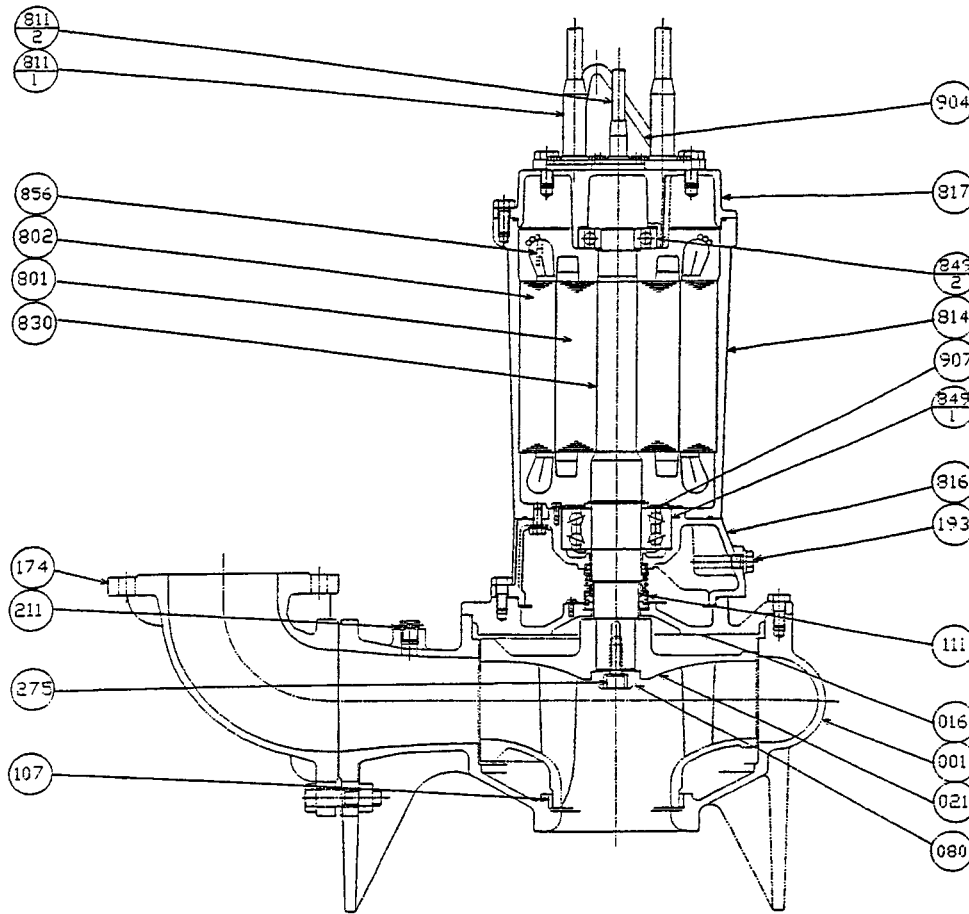


| PART NO. | PART NAME             | MATERIAL        | NO. FOR 1 UNIT |
|----------|-----------------------|-----------------|----------------|
| 001      | CASING                | CAST IRON       | 1              |
| 016      | MECHANICAL SEAL COVER | CAST IRON       | 1              |
| 021      | IMPELLER              | CAST IRON       | 1              |
| 080      | BUSHING               | STAINLESS STEEL | 1              |
| 107      | WEAR RING             | BRONZE          | 1              |
| 111      | MECHANICAL SEAL       | —               | 1              |
| 174      | DISCHARGE PIPE        | CAST IRON       | 1 SET          |
| 193      | OIL PLUG              | RUBBER (NBR)    | 1 SET          |
| 211      | AIRVENT VALVE         | BRASS           | 1              |
| 275      | IMPELLER BOLT         | STAINLESS STEEL | 1              |
| 801      | ROTOR                 | —               | 1              |
| 802      | STATOR                | —               | 1              |

| PART NO. | PART NAME             | MATERIAL        | NO. FOR 1 UNIT |
|----------|-----------------------|-----------------|----------------|
| 811      | SUBMERSIBLE CABLE     | —               | 2              |
| 814      | MOTOR FRAME           | CAST IRON       | 1              |
| 816      | POWER SIDE BRACKET    | CAST IRON       | 1              |
| 817      | OPPOSITE SIDE BRACKET | CAST IRON       | 1              |
| 830      | SHAFT                 | STAINLESS STEEL | 1              |
| 849-1    | BALL BEARING          | —               | 1              |
| 849-2    | BALL BEARING          | —               | 1              |
| 876      | AUTO CUT              | —               | 3              |
| 904      | LIFTING HANGER        | STEEL           | 1              |
| 907      | BEARING COVER         | STEEL           | 1              |

Sectional View

5 to 10 HP  
 80DML  
 100DML  
 150DML

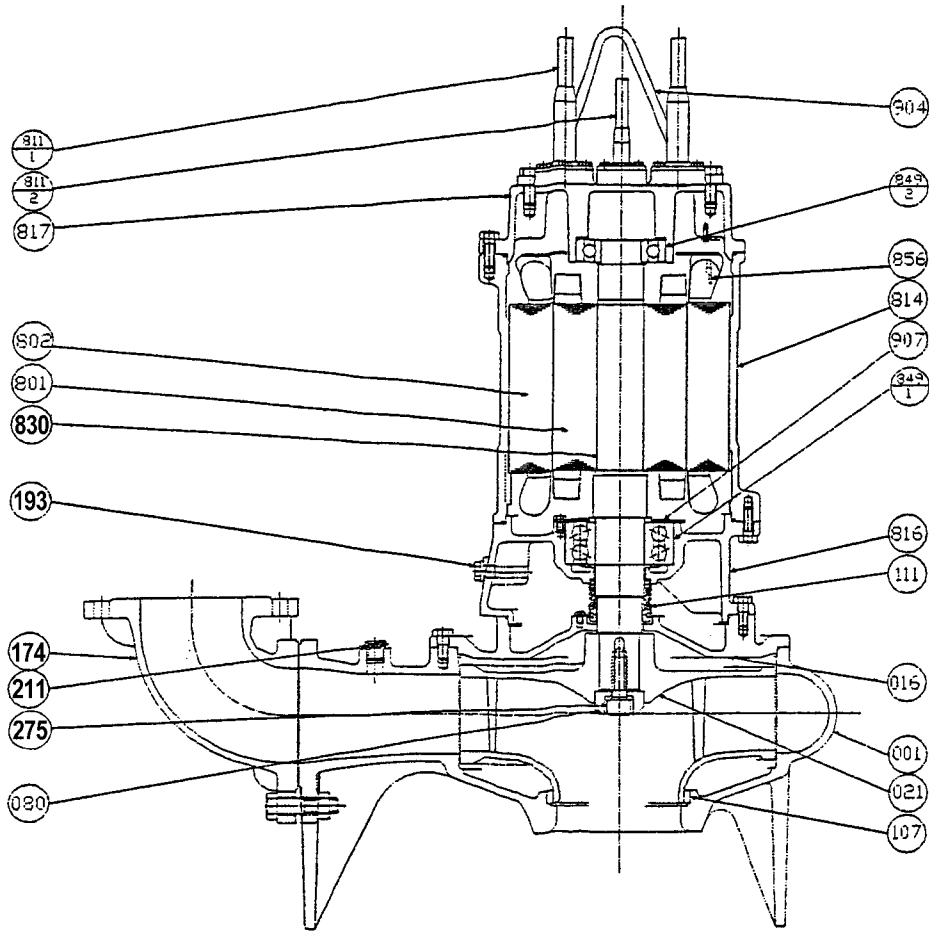


| PART NO. | PART NAME             | MATERIAL        | NO. FOR 1 UNIT |
|----------|-----------------------|-----------------|----------------|
| 001      | CASING                | CAST IRON       | 1              |
| 016      | MECHANICAL SEAL COVER | CAST IRON       | 1              |
| 021      | IMPELLER              | CAST IRON       | 1              |
| 080      | BUSHING               | STEEL           | 1              |
| 107      | WEARING RING          | BRONZE          | 1              |
| 111      | MECHANICAL SEAL       | —               | 1              |
| 174      | DISCHARGE PIPE        | CAST IRON       | 1              |
| 193      | OIL PLUG              | RUBBER (NBR)    | 1 SET          |
| 211      | AIRVENT VALVE         | BRASS           | 1              |
| 275      | IMPELLER BOLT         | STAINLESS STEEL | 1              |
| 801      | ROTOR                 | —               | 1              |
| 802      | STATOR                | —               | 1              |

| PART NO. | PART NAME                  | MATERIAL        | NO. FOR 1 UNIT |
|----------|----------------------------|-----------------|----------------|
| 811-1    | SUBMERSIBLE CABLE (POWER)  | —               | 2              |
| 811-2    | SUBMERSIBLE CABLE (SIGNAL) | —               | 1              |
| 814      | MOTOR FRAME                | CAST IRON       | 1              |
| 816      | POWER SIDE BRACKET         | CAST IRON       | 1              |
| 817      | OPPOSITE SIDE BRACKET      | CAST IRON       | 1              |
| 830      | SHAFT                      | STAINLESS STEEL | 1              |
| 849-1    | BALL BEARING               | —               | 1              |
| 849-2    | BALL BEARING               | —               | 1              |
| 856      | THERMAL PROTECTOR          | —               | 3              |
| 904      | LIFTING HANGER             | STEEL           | 1              |
| 907      | BEARING COVER              | STEEL           | 1              |

Sectional View

15 to 30HP  
 80DML  
 100DML  
 150DML



| PART NO. | PART NAME             | MATERIAL        | NO. FOR 1 UNIT |
|----------|-----------------------|-----------------|----------------|
| 001      | CASING                | CAST IRON       | 1              |
| 016      | MECHANICAL SEAL COVER | CAST IRON       | 1              |
| 021      | IMPELLER              | CAST IRON       | 1              |
| 080      | BUSHING               | STEEL           | 1              |
| 107      | WEARING RING          | BRONZE          | 1              |
| 111      | MECHANICAL SEAL       | —               | 1              |
| 174      | DISCHARGE PIPE        | CAST IRON       | 1              |
| 193      | OIL PLUG              | RUBBER (NBR)    | 1 SET          |
| 211      | AIRVENT VALVE         | BRASS           | 1              |
| 275      | IMPELLER BOLT         | STAINLESS STEEL | 1              |
| 801      | ROTOR                 | —               | 1              |
| 802      | STATOR                | —               | 1              |

| PART NO. | PART NAME                  | MATERIAL        | NO. FOR 1 UNIT |
|----------|----------------------------|-----------------|----------------|
| 811-1    | SUBMERSIBLE CABLE (POWER)  | —               | 2              |
| 811-2    | SUBMERSIBLE CABLE (SIGNAL) | —               | 1              |
| 814      | MOTOR FRAME                | CAST IRON       | 1              |
| 816      | POWER SIDE BRACKET         | CAST IRON       | 1              |
| 817      | OPPOSITE SIDE BRACKET      | CAST IRON       | 1              |
| 830      | SHAFT                      | STAINLESS STEEL | 1              |
| 849-1    | BALL BEARING               | —               | 1              |
| 849-2    | BALL BEARING               | —               | 1              |
| 856      | THERMAL PROTECTORT         | —               | 3              |
| 904      | LIFTING HANGER             | STEEL           | 1              |
| 907      | BEARING COVER              | STEEL           | 1              |