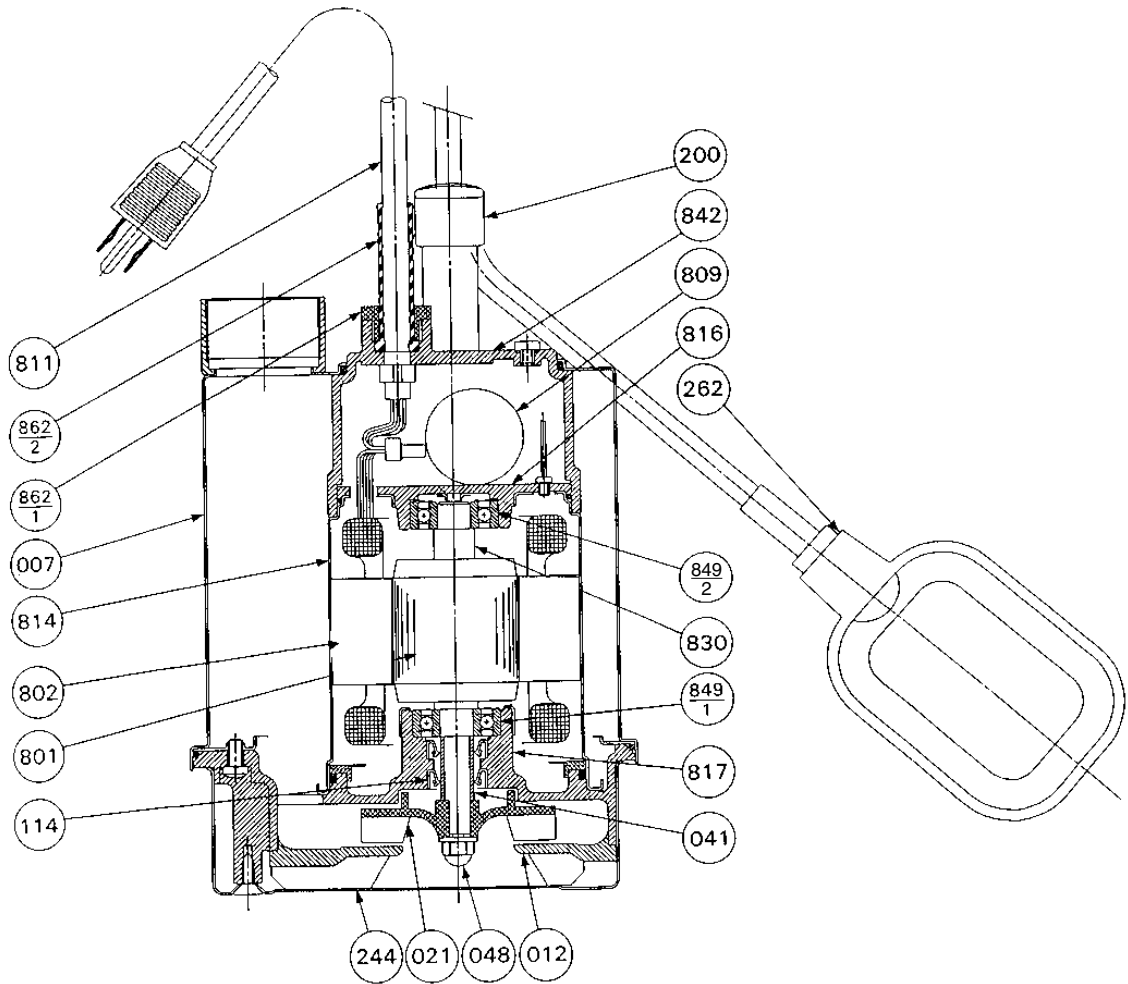


PRO Drainer

EBARA Submersible Stainless Steel Pumps

Sectional View

Automatic Type Output 1/3 HP (Single Phase)



Part No.	Part Name	Material	ASTM, AISI Code	No. for 1 Unit	Part No.	Part Name	Material	ASTM, AISI Code	No. for 1 Unit
007	Outer Casing	304 Stainless	AISI 304	1	809	Capacitor	—		1
012	Suction Cover	Noryl G.F. 2		1	811	Submersible Cable	—		1
021	Impeller	Noryl G.F. 2		1	814	Motor Frame	304 Stainless	AISI 304	1
041	Sleeve	304 Stainless/Ceramic		1	816	Bracket	Aluminum		1
048	Impeller Nut	304 Stainless	AISI 304	1	817	Bracket	Noryl G.F. 2		1
*114	Oil Seal	NBR		1 set	830	Shaft	303 Stainless	AISI 303	1
200	Lifting Hanger	304 Stainless	AISI 304	1	842	Motor Cover	Moplen		1
244	Strainer	304 Stainless	AISI 304	1	*849-1	Ball Bearing	—		1
262	Float Switch	—		1	*849-2	Ball Bearing	—		1
801	Rotor	—		1	862-1	Cable Connector	Nylon 66 G.F. 3		1
802	Stator	—		1	862-2	Cable Boot	NBR		1

* Recommended spare parts

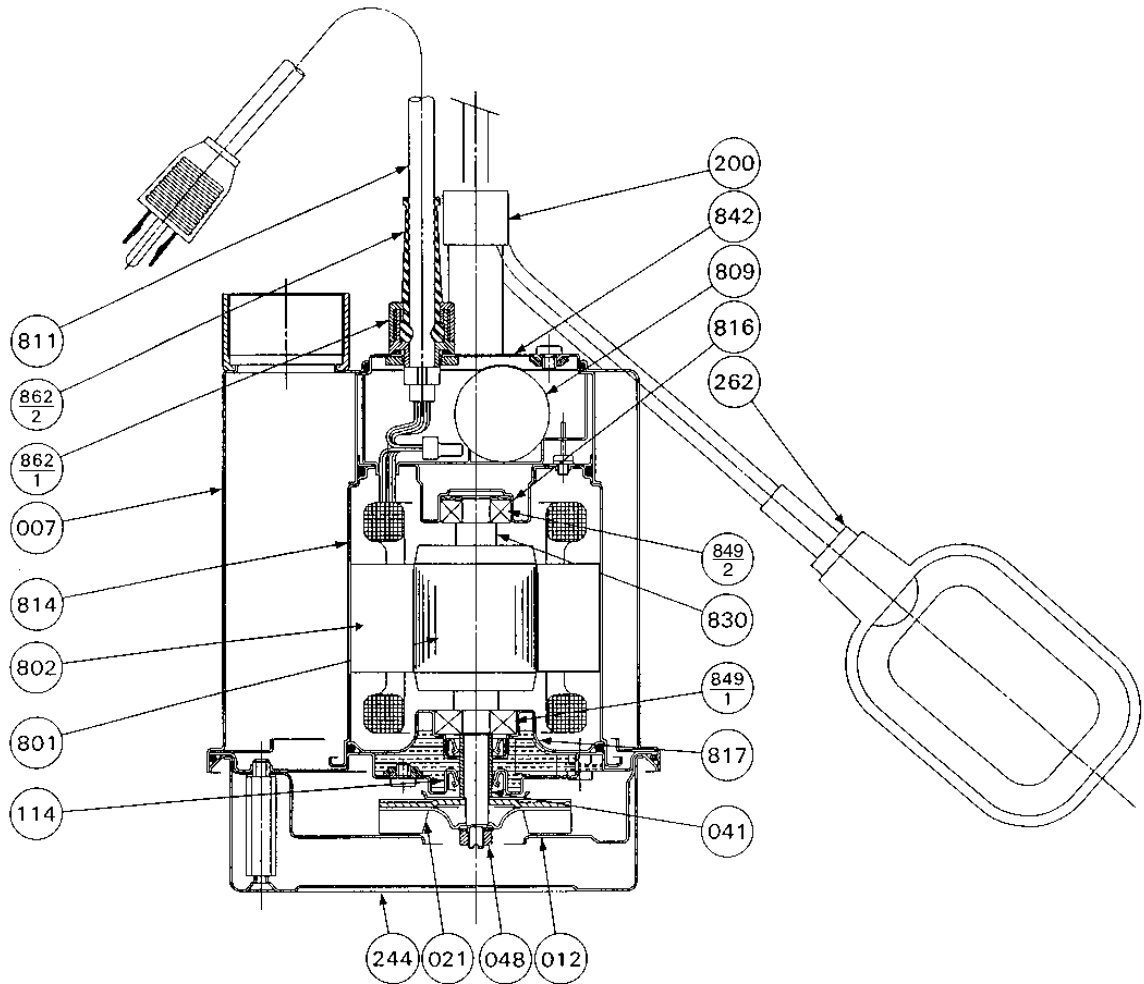


PRO Drainer

EBARA Submersible Stainless Steel Pumps

Sectional View

Automatic Type Output 1/3 HP (Single Phase)



Part No.	Part Name	Material	ASTM, AISI Code	No. for 1 Unit	Part No.	Part Name	Material	ASTM, AISI Code	No. for 1 Unit
007	Outer Casing	304 Stainless	AISI 304	1	809	Capacitor	—		1
012	Suction Cover	304 Stainless	AISI 304	1	811	Submersible Cable	—		1
021	Impeller	304 Stainless	AISI 304	1	814	Motor Frame	304 Stainless	AISI 304	1
041	Sleeve	Ceramic/Steel		1	816	Bracket	304 Stainless	AISI 304	1
048	Impeller Nut	304 Stainless	AISI 304	1	817	Bracket	304 Stainless	AISI 304	1
*114	Oil Seal	—		1 set	830	Shaft	303 Stainless	AISI 303	1
200	Lifting Hanger	304 Stainless	AISI 304	1	842	Motor Cover			1
244	Strainer	304 Stainless	AISI 304	1	*849-1	Ball Bearing	—		1
262	Float Switch	—		1	*849-2	Ball Bearing	—		1
801	Rotor	—		1	862-1	Cable Connector	Brass/Plated		1
802	Stator	—		1	862-2	Cable Boot	NBR		1

* Recommended spare parts

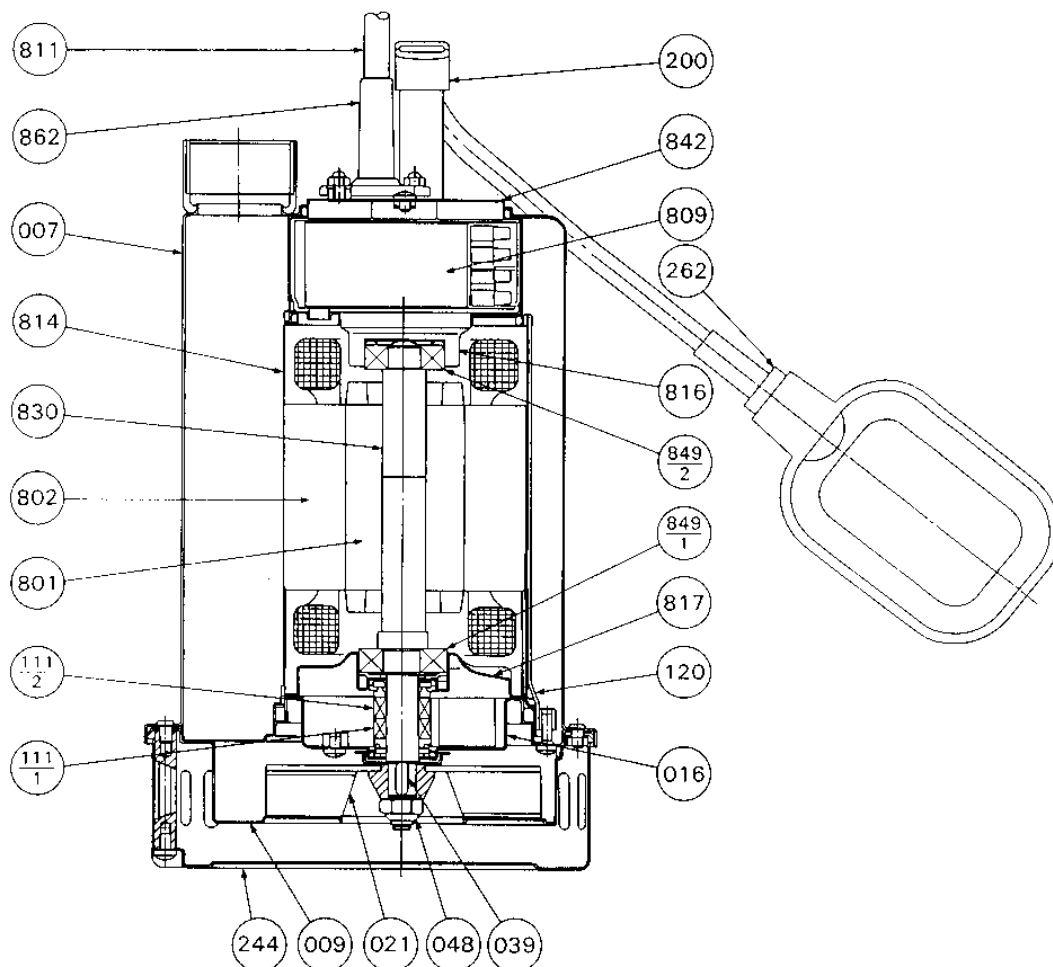


PRO Drainer

EBARA Submersible Stainless Steel Pumps

Sectional View

Automatic Type Output 1/2 HP to 3/4 HP (Single Phase)



Part No.	Part Name	Material	ASTM, AISI Code	No. for 1 Unit
007	Outer Casing	304 Stainless	AISI 304	1
009	Suction Cover	304 Stainless	AISI 304	1
016	Seal Cover	304 Stainless	AISI 304	1
021	Impeller	304 Stainless	AISI 304	1
039	Key	304 Stainless	AISI 304	1
048	Impeller Nut	304 Stainless	AISI 304	1 set
*111-1	Mechanical Seal	—		1 set
*111-2	Mechanical Seal	—		1 set
120	Connection Band	304 Stainless	AISI 304	
200	Lifting Hanger	304 Stainless	AISI 304	1
244	Strainer	304 Stainless	AISI 304	1
262	Float Switch	—		1

Part No.	Part Name	Material	ASTM, AISI Code	No. for 1 Unit
801	Rotor	—		1
802	Stator	—		1
809	Capacitor	—		1
811	Submersible Cable	—		1
814	Motor Frame	304 Stainless	AISI 304	1
816	Bracket	304 Stainless	AISI 304	1
817	Bracket	304 Stainless	AISI 304	1
830	Shaft	303 Stainless	AISI 303	1
842	Motor Cover			1
*849-1	Ball Bearing	—		1
*849-2	Ball Bearing	—		1
862	Cable Boot	NBR		1

* Recommended spare parts

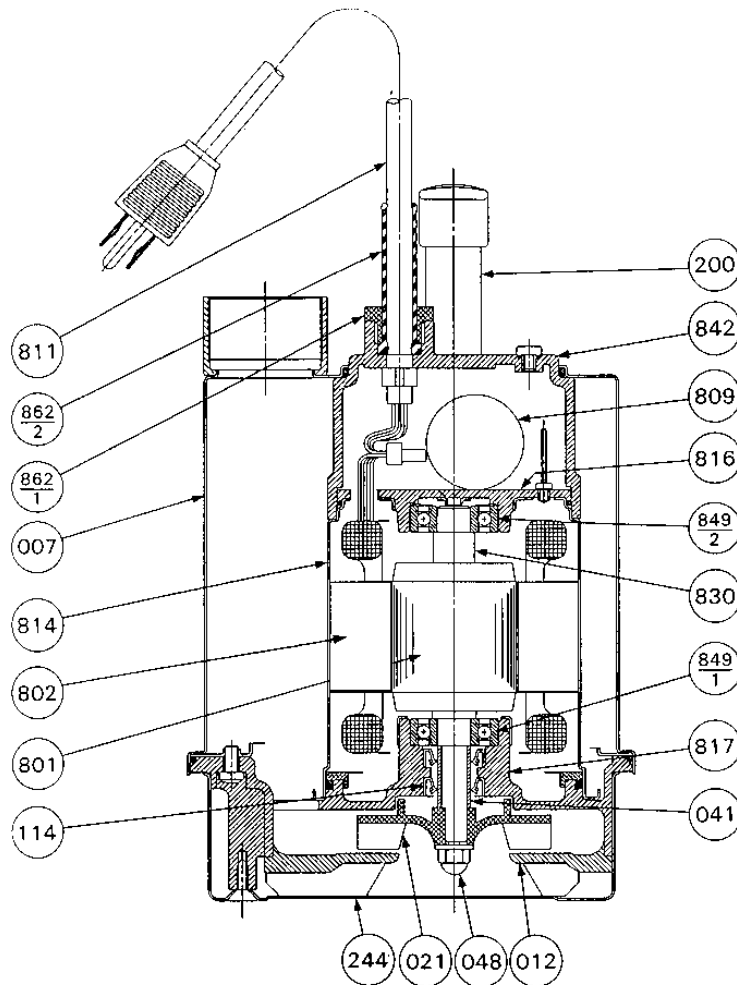


PRO Drainer

EBARA Submersible Stainless Steel Pumps

Sectional View

Manual Type Output 1/3 HP (Single Phase)



Part No.	Part Name	Material	ASTM, AISI Code	No. for 1 Unit
007	Outer Casing	304 Stainless	AISI 304	1
012	Suction Cover	Noryl G.F. 2		1
021	Impeller	Noryl G.F. 2		1
041	Sleeve	304 Stainless/Ceramic		1
048	Impeller Nut	304 Stainless	AISI 304	1
*114	Oil Seal	NBR		1 set
200	Lifting Hanger	304 Stainless	AISI 304	1
244	Strainer	304 Stainless	AISI 304	1
801	Rotor	—		1
802	Stator	—		1
809	Capacitor	—		1

Part No.	Part Name	Material	ASTM, AISI Code	No. for 1 Unit
811	Submersible Cable	—		1
814	Motor Frame	304 Stainless	AISI 304	1
816	Bracket	Aluminum		1
817	Bracket	Noryl G.F. 2		1
830	Shaft	303 Stainless	AISI 303	1
842	Motor Cover	Moplen		1
*849-1	Ball Bearing	—		1
*849-2	Ball Bearing	—		1
862-1	Cable Connector	Nylon 66 G.F. 3		1
862-2	Cable Boot	NBR		1

* Recommended spare parts

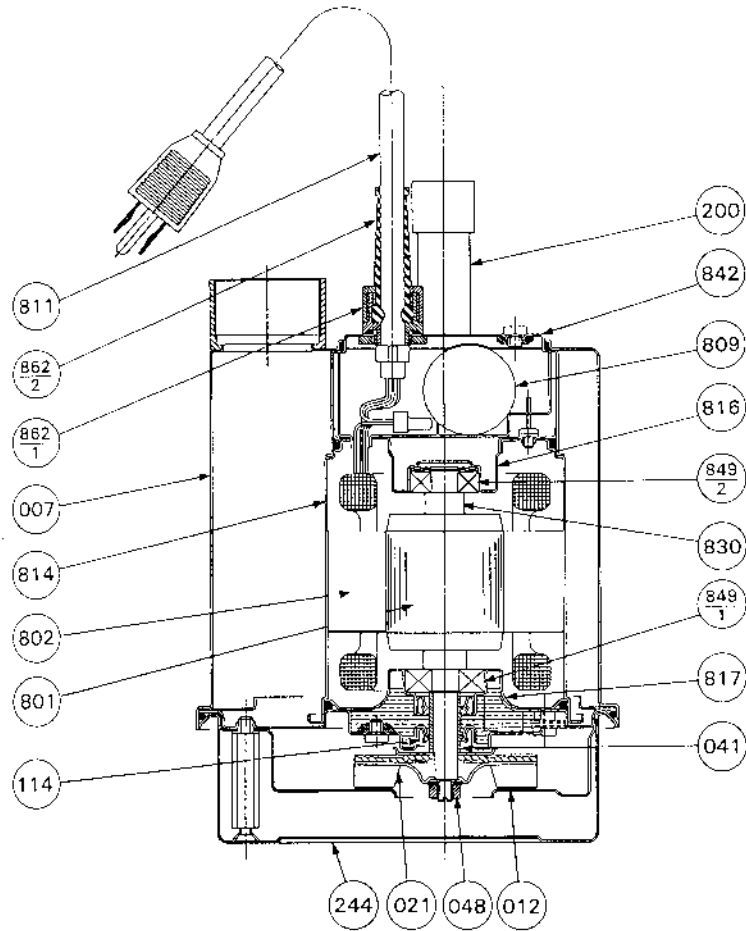


PRO Drainer

EBARA Submersible Stainless Steel Pumps

Sectional View

Manual Type Output 1/3 HP (Single Phase)



Part No.	Part Name	Material	ASTM, AISI Code	No. for 1 Unit
007	Outer Casing	304 Stainless	AISI 304	1
012	Suction Cover	304 Stainless	AISI 304	1
021	Impeller	304 Stainless	AISI 304	1
041	Sleeve	Ceramic/Steel		1
048	Impeller Nut	304 Stainless	AISI 304	1
*114	Oil Seal	—		1
200	Lifting Hanger	304 Stainless	AISI 304	1
244	Strainer	304 Stainless	AISI 304	1
801	Rotor	—		1
802	Stator	—		1
809	Capacitor	—		1

Part No.	Part Name	Material	ASTM, AISI Code	No. for 1 Unit
811	Submersible Cable	—		1
814	Motor Frame	304 Stainless	AISI 304	1
816	Bracket	304 Stainless	AISI 304	1
817	Bracket	304 Stainless	AISI 304	1
830	Shaft	303 Stainless	AISI 303	1
842	Motor Cover	304 Stainless	AISI 304	1
*849-1	Ball Bearing	—		1
*849-2	Ball Bearing	—		1
862-1	Cable Connector	Brass/Plated		1
862-2	Cable Boot	NBR		1

* Recommended spare parts

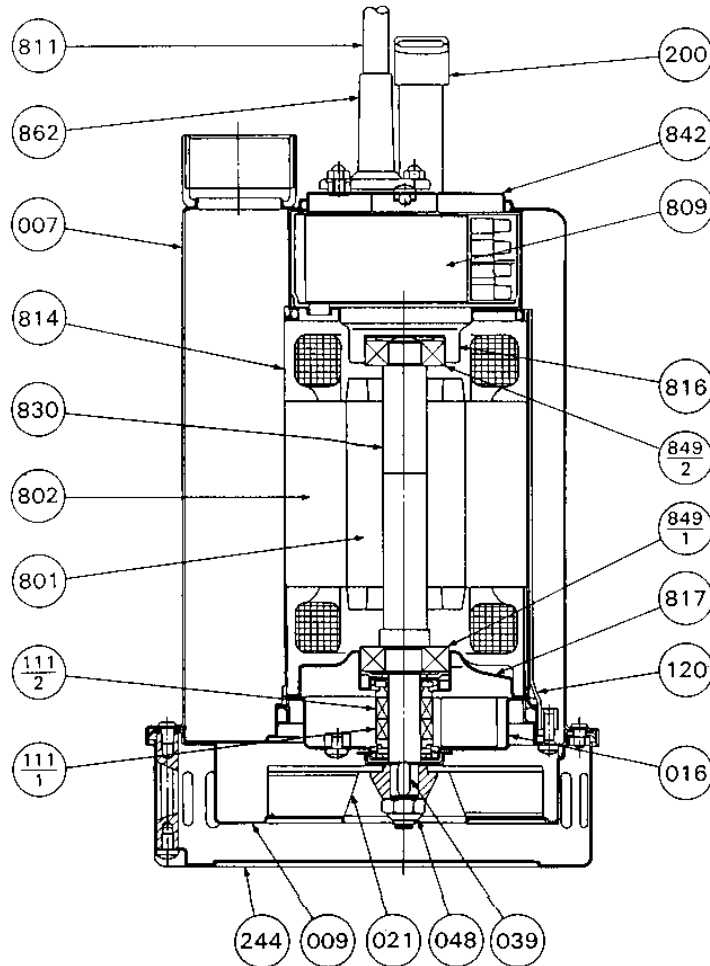


PRO Drainer

EBARA Submersible Stainless Steel Pumps

Sectional View

Manual Type Output 1/2 HP to 3/4 HP (Single Phase)



Part No.	Part Name	Material	ASTM, AISI Code	No. for 1 Unit
007	Outer Casing	304 Stainless	AISI 304	1
009	Inner Casing	304 Stainless	AISI 304	1
016	Seal Cover	304 Stainless	AISI 304	1
021	Impeller	304 Stainless	AISI 304	1
039	Key	304 Stainless	AISI 304	1
048	Impeller Nut	304 Stainless	AISI 304	1 set
*111-1	Mechanical Seal	—		1 set
*111-2	Mechanical Seal	—		1 set
120	Connection Band	304 Stainless	AISI 304	1
200	Lifting Hanger	304 Stainless	AISI 304	1
244	Strainer	304 Stainless	AISI 304	1
801	Rotor	—		1

Part No.	Part Name	Material	ASTM, AISI Code	No. for 1 Unit
802	Stator	—		1
809	Capacitor	—		1
811	Submersible Cable	—		1
814	Motor Frame	304 Stainless	AISI 304	1
816	Bracket	304 Stainless	AISI 304	1
817	Bracket	304 Stainless	AISI 304	1
830	Shaft	303 Stainless	AISI 303	1
842	Motor Cover			1
*849-1	Ball Bearing	—		1
*849-2	Ball Bearing	—		1
862	Cable Boot	NBR		1

* Recommended spare parts

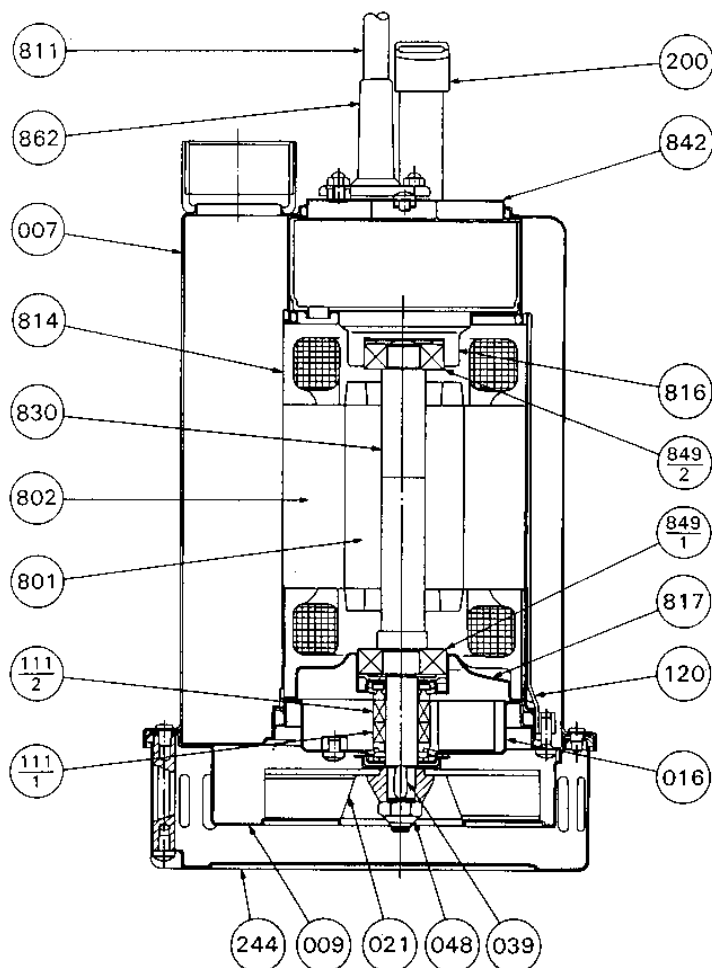


PRO Drainer

EBARA Submersible Stainless Steel Pumps

Sectional View

Manual Type Output 1/2 HP to 1 1/2 HP (Three Phase)



Part No.	Part Name	Material	ASTM, AISI Code	No. for 1 Unit
007	Outer Casing	304 Stainless	AISI 304	1
009	Inner Casing	304 Stainless	AISI 304	1
016	Seal Cover	304 Stainless	AISI 304	1
021	Impeller	304 Stainless	AISI 304	1
039	Key	304 Stainless	AISI 304	1
048	Impeller Nut	304 Stainless	AISI 304	1 set
*111-1	Mechanical Seal	—		1 set
*111-2	Mechanical Seal	—		1 set
120	Connection Band	304 Stainless	AISI 304	
200	Lifting Hanger	304 Stainless	AISI 304	1
244	Strainer	304 Stainless	AISI 304	1

Part No.	Part Name	Material	ASTM, AISI Code	No. for 1 Unit
801	Rotor	—		1
802	Stator	—		1
811	Submersible Cable	—		1
814	Motor Frame	304 Stainless	AISI 304	1
816	Bracket	304 Stainless	AISI 304	1
817	Bracket	304 Stainless	AISI 304	1
830	Shaft	303 Stainless	AISI 303	1
842	Motor Cover			1
*849-1	Ball Bearing	—		1
*849-2	Ball Bearing	—		1
862	Cable Foot	NBR		1

* Recommended spare parts

